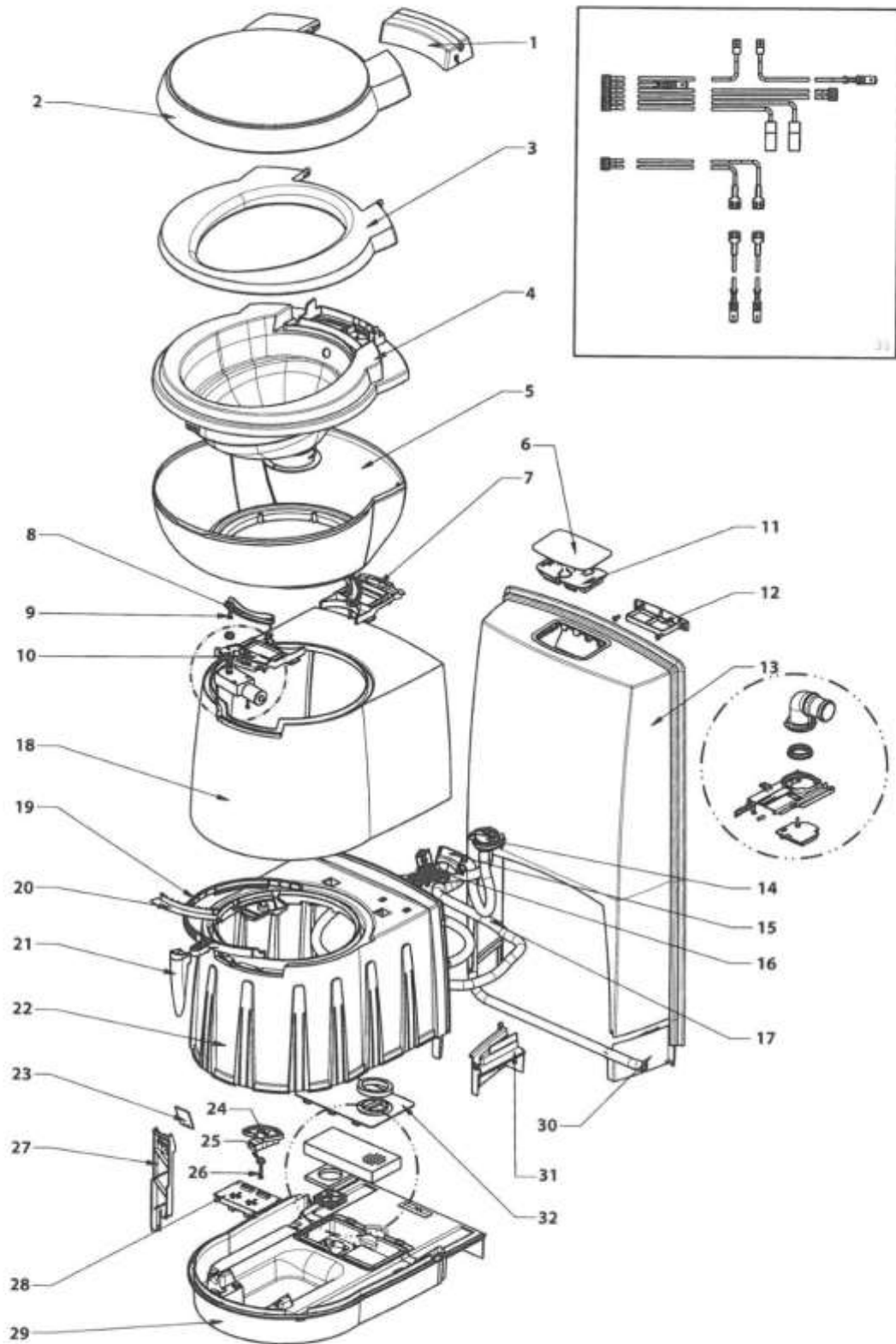


C-250 CS



C250-CS

	Single spare part number	Assembly spare part number
1 Pod		5070762 (White)
2 Seat		5070730 (Mocca)
3 Cover		5075762 (Ceramic version only)
4 Bowl inner		
5 Bowl outer		
6 Overlay	50708	
7 Bowl retainer bracket	50733	
8 Retainer bracket		
9 Screw		
10 Bowl retainer		
11 Control SN (50540)	50709	
11 Control SW (50545)	50710	
11 Control FF (50546)	50711	
12 Wall bracket		
13 Console		
14 Vacuum breaker	16833	
15 Seal nozzle/nozzle/retainer nozzle	50729	
16 Electric valve	23709	
17 Water supply tube		
18 Base upper		
19 Ring blade mechanism		
20 Water diverter		
21 Handle	9340247	
22 Base frame		
23 Reed switch one switch	50713	
23 Reed switch Single level	50714	
23 Reed switch Multi level	50715	
24 Saddle		
25 Bushing		50735
26 Screw		
27 Reed switch housing		
28 Relay/fuse holder		50716
29 Base lower		
30 Splashguard left		
31 Splashguard right		
32 Vent plate	5073462	
33 Wire harness		

The fuse holder and the reed switch housing (27+28) have become together one single part since 01/02/2011.

Spares for level indicator kits (Contains Bracket Relay/Fuse holder, Reed switch, Float)		
Kit one switch	5075062	
Kit single level	5075162	
Kit multi level	5075262	

Ventilator for Powered vent	50755	
-----------------------------	-------	--

THETFORD ACCOMPANIES YOU.

Repair instruction

Description: SC250 Control panel

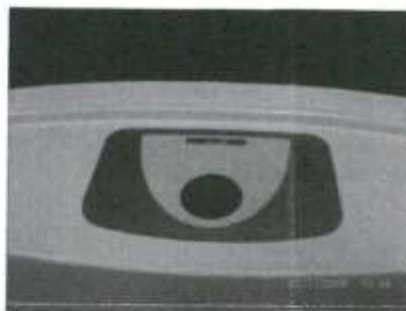
Part number: 50709/50710/50711

Look for Service Centres, Point of Sale addresses and other information on: www.thetford-europe.com

Version:	1
Date:	June 2010
Tools required:	Stanley knife, flat head screwdriver

A

Locate the overlay on the top of the toilet



B

Using a sharp object such as a stanley knife carefully peel back the overlay taking care not to damage the main body of the toilet



C

Once the overlay has been removed use a flat head screw driver to unclip the panel that houses the control panel and turn it over



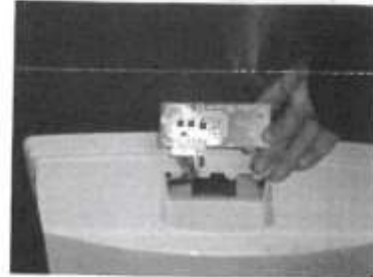
D

Simply unclip the control panel from its housing.
**Note



E

Take note of the positioning of the wire connecting as this is important when re-attaching



F

Remove control panel and replace with new



G

Clip the control panel back into its housing and clip the two parts back in the toilet



H

Replace the overlay



** In case the PCB is glued with hotmelt to the housing, steps D until G can be left out.